



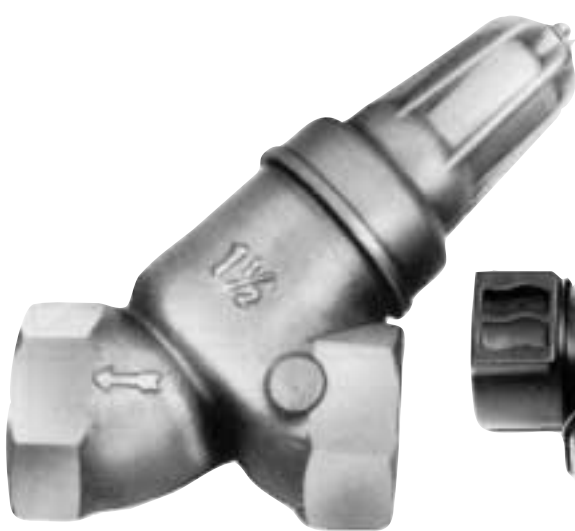
## PRV Series DIRECT ACTING PRESSURE REDUCING VALVES

For irrigation

The **BERMAD PRV Series** Direct Acting Pressure Reducing Valves have been specially designed for use where accurate and reliable control of line pressure is required, regardless of fluctuations in supply pressure and/or flow rate.

### FEATURES

- The use of a rolling diaphragm provides:
  - Complete separation of the mechanism from the flow, resulting in long, trouble-free service.
  - Minimum friction resistance to mechanism movement, resulting in accurate performance.
- PRV regulators are available with a wide range of spring selection, for downstream pressure setting.
- PRV regulators are available in two models: adjustable and fixed downstream preset pressure.
- PRV regulators are also available in drip-tight models for static pressure conditions.



1 1/2"



1"



3/4"



### Model 100-PRV

#### Specifications

Sizes: 1"

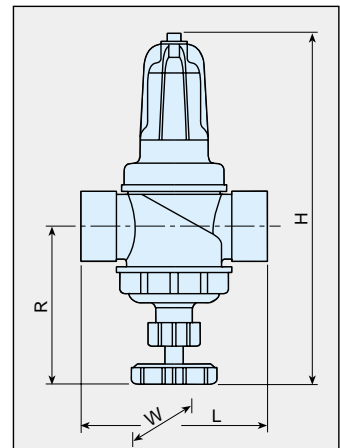
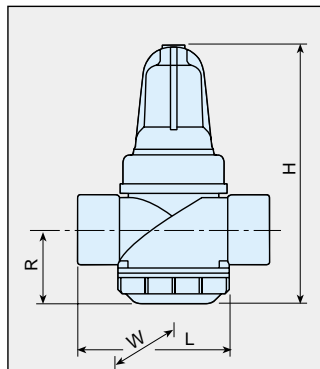
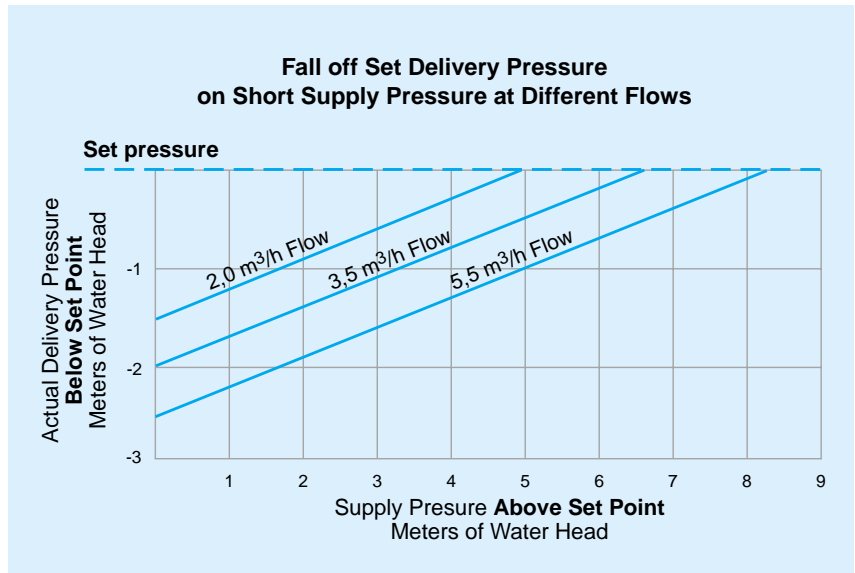
**End Connections:** BSP, NPT  
1" size female-female threading

**Flow Capacity Range:**  
0.45-8.0 m<sup>3</sup>/h

**Pressure Rating:**  
Minimum working pressure  
0.7 bar (10 psi)  
maximum working pressure  
9 bar (130 psi)

**Temperature Range:**  
Water up to 80°C (180°F)

**Materials:**  
Body: Plastic  
Seals: Buna-N and NR  
Diaphragm: Nylon-fabric,  
reinforced Buna-N  
Spring and shafts: Stainless steel



#### Dimensions and Weights

	Without Mechanical Closure	With Mechanical Closure
<b>Size (mm)</b>	1"	1"
L	114	114
H	160	200
W	65	65
R	45	95
<b>Weight (kg)</b>	0.55	0.70

#### Spring Selection Diagram

